

TRW Automotive
Commercial Steering Systems

Service Procedure #THP-101

THP450002 & THP600002 Output Shaft Service Seal Kits (For use on THP/PCF45 and THP/PCF60 series steering gears)

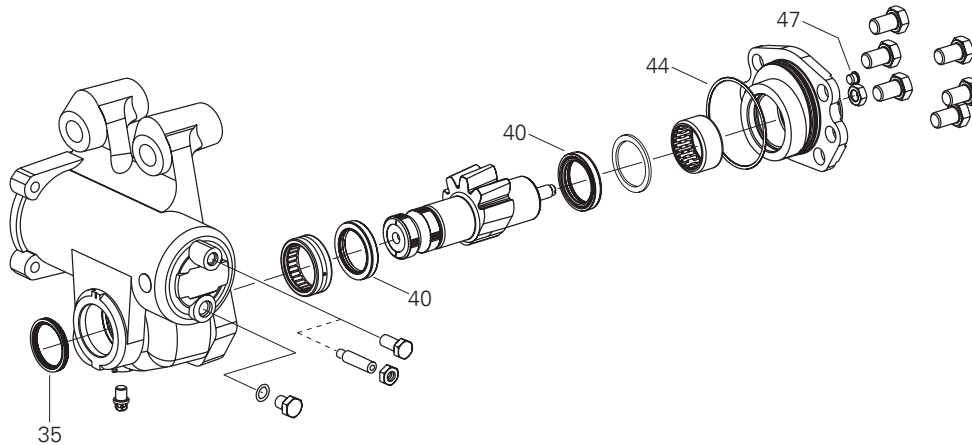
Revised November 2005

This TRW Commercial Steering Systems service procedure has been written to help you repair commercial vehicles more efficiently. This procedure should not replace your manuals; you should use them together. These materials are intended for use by properly trained, professional mechanics, NOT "Do-it-yourselfers". You should not try to diagnose or repair steering problems unless you have been trained, and have the right equipment, tools and know-how to perform the work correctly and safely.

⚠ WARNING All steering mechanisms are safety critical items. As such, it is imperative that the instructions in the vehicle manufacturer's or TRW's latest published service manual are followed to the letter. Failure to observe the proper procedures, cautions and warnings may result in loss of steering.

Service seal kits include service parts for more than one type of construction. Select the service kit parts required for the unit being serviced by comparing them with those being replaced.

Service seal kits include grease (P/N 406038) and all item numbers shown on this bulletin.



Item	Description	Part Number	
		THP450002	THP600002
35	Dirt and Water Seal (Trunnion)	478098	478095
40	Seal (2-Output)	478119	478040
44	O-ring (Side Cover)	032856	032856
47	Vent Plug (Side Cover)	036201	036201

TRW Commercial Steering Systems

P.O. Box 60
Lafayette, IN 47902
Phone: 765.423.5377
Fax: 765.429.1868