

TRW Automotive
Commercial Steering Systems

Service Procedure #THP-100

Illustration for Service Seal Kits THP450001 & THP600001 (For use on THP/PCF45 and THP/PCF60 series steering gears)

January 2010

⚠ WARNING Do not remove from the valve housing, the ball bearing cup or the special seal behind the cup. This seal is not included in the seal kit and is not serviceable.

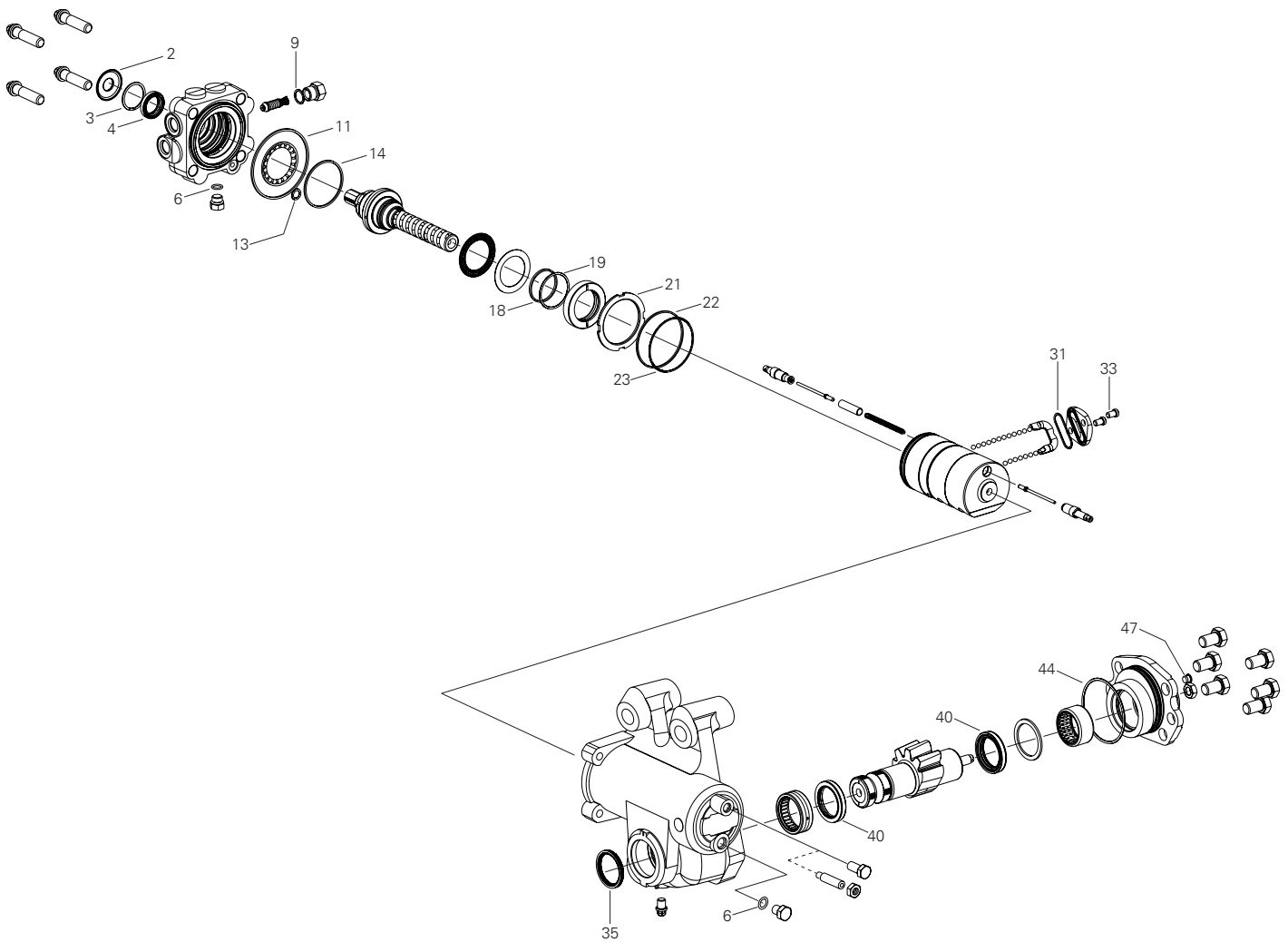
⚠ WARNING All steering mechanisms are safety critical items. As such, it is imperative that the instructions in the vehicle manufacturer's or TRW's latest published service manual are followed to the letter. Failure to observe the proper procedures, cautions and warnings may result in loss of steering.

Service seal kits include service parts for more than one type of construction. Select the service kit parts required for the unit being serviced by comparing them with those being replaced.

Service seal kits include grease (P/N 045422) and all item numbers shown on this bulletin.

This TRW Commercial Steering Systems service procedure has been written to help you repair commercial vehicles more efficiently. This procedure should not replace your manuals; you should use them together. These materials are intended for use by properly trained, professional mechanics, NOT "Do-it-yourselfers". You should not try to diagnose or repair steering problems unless you have been trained, and have the right equipment, tools and know-how to perform the work correctly and safely.

- * Item 2 (Dirt & Water Seal with .687" I.D.) is for THP/PCF units with 13/16" input serrations (P/N 478044).
- * Item 2B (Dirt & Water seal with .852" I.D.) is for THP/PCF units with 1" input serrations (P/N 478050).



Item	Description	Part Number (by model)	
		THP/PCF45	THP/PCF60
2	Dirt & Water Seal (13/16" Serr.)	478044	478044
2B	Dirt & Water Seal (1" Serr.)	478050	478050
3	Retaining Ring	401637	401637
4	Seal (Input Shaft)	478076	478076
6	O-ring (2-Aux. Port Plug)	032229	032229
9	O-ring (Relief Valve)	032200-153	032200-153
11	Seal Ring	032873	032873
13	O-Ring	032874	032874
14	Seal Ring	029128	029128
18	Seal Ring	029123	029123
19	O-Ring	032200-158	032200-158
21	Lock Nut	027007	027007
22	O-Ring (Rack Piston)	032827	032831
23	Seal Ring (Rack Piston)	032828	032830
31	Seal (Cap)	478042	478042
33	Torx Screws (2-Cap)	020228	020228
35	Dirt and Water Seal (Trunnion)	478098	478095
40	Seal (2-Output)	478119	478040
44	O-ring (Side Cover)	032856	032856
47	Vent Plug (Side Cover)	036201	036201

TRW Commercial Steering Systems

P.O. Box 60
 Lafayette, IN 47902
 Phone: 765.423.5377
 Fax: 765.429.1868