

**TRW Automotive**  
Commercial Steering Systems

## Service Procedure #TAS-133

### Illustration for Service Seal Kit TAS370002

Revised November 2005

*This TRW Commercial Steering Systems' service procedure has been written to help you repair commercial vehicles more efficiently. This procedure should not replace your manuals; you should use them together. These materials are intended for use by properly trained, professional mechanics, NOT "Do-it-yourselfers". You should not try to diagnose or repair steering problems unless you have been trained, and have the right equipment, tools and know-how to perform the work correctly and safely.*

#### **⚠ WARNING**

**All steering mechanisms are safety critical items. As such, it is imperative that the instructions in the vehicle manufacturer's or TRW's latest published service manual are followed to the letter. Failure to observe the proper procedures, cautions and warnings may result in loss of steering.**

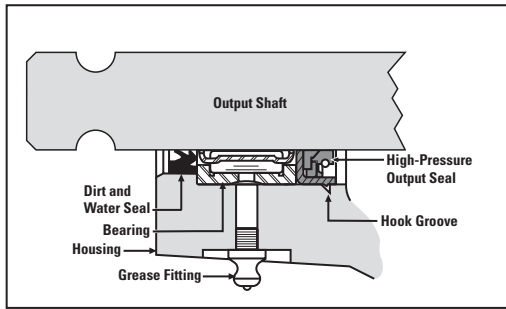
#### **⚠ CAUTION**

**When installing seals, be sure to use the correct seal installation tool. Damage to the seal or improper installation will result if proper tool is not used during installation.**

Service seal kits include service parts for more than one type of construction. Select the service kit parts required for the unit being serviced by comparing them with those being replaced.

Service seal kits include a grease pack and all item numbers shown on the exploded view in this service bulletin.

## Section View of Output Shaft Seal Installation

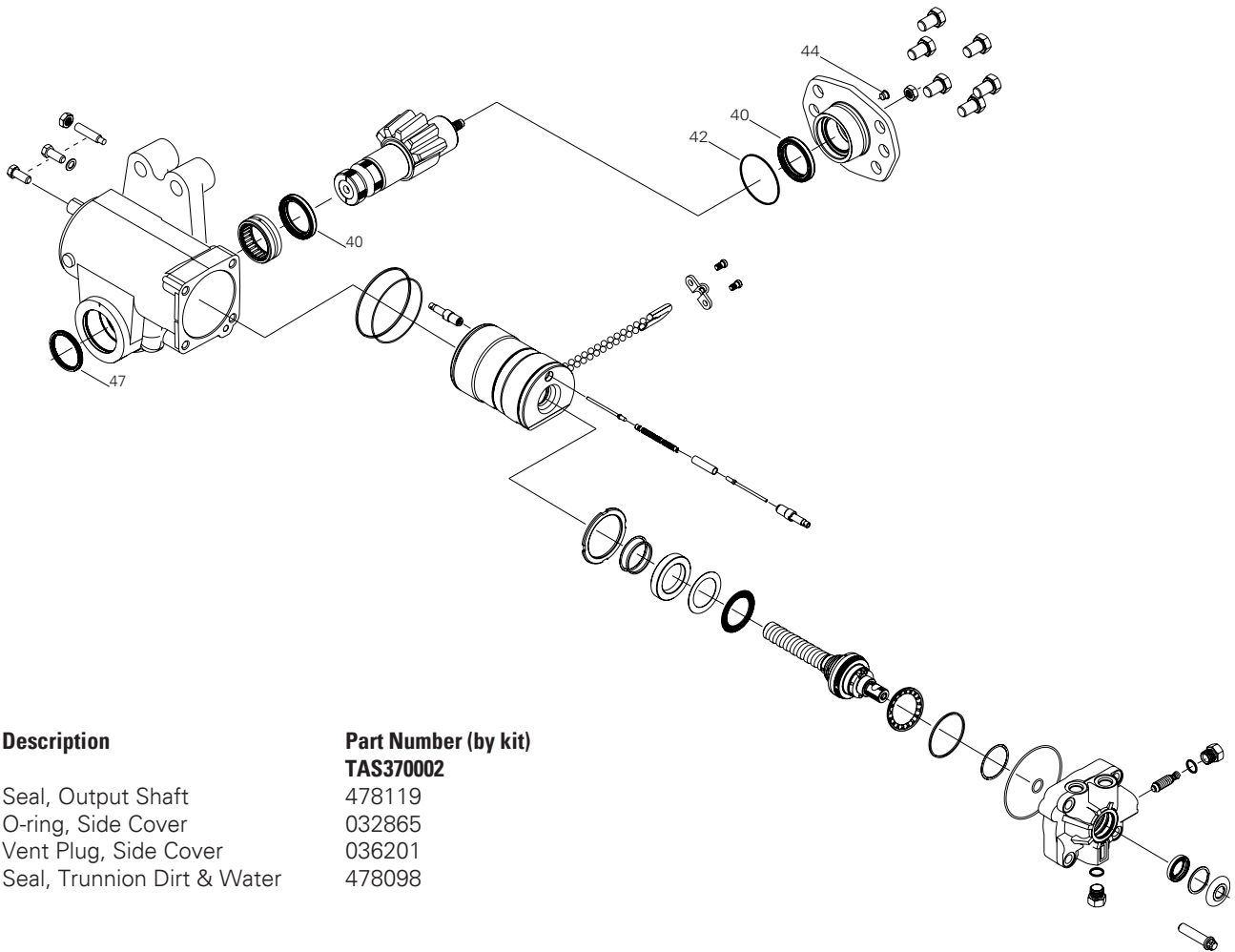


**Step Bore w/ Hook Groove**

This cross section of the output shaft seal area shows the design difference in the TAS37 steering gear assembly. The current production procedure is to machine a hook groove in the housing to keep the output shaft seal in place.

### NOTE

**Grease the trunnion bearing with a hand grease gun only. Automatic grease guns may blow out the output shaft seal.**



Item	Description	Part Number (by kit)
40	Seal, Output Shaft	478119
42	O-ring, Side Cover	032865
44	Vent Plug, Side Cover	036201
47	Seal, Trunnion Dirt & Water	478098

**TAS370002**

### TRW Commercial Steering Systems

P.O. Box 60  
Lafayette, IN 47902  
Phone: 765.423.5377  
Fax: 765.429.1868