

TRW Automotive
Commercial Steering Systems

Service Procedure #TAS-132

Illustration for Service Seal Kit TAS370001

January 2010

This TRW Commercial Steering Systems' service procedure has been written to help you repair commercial vehicles more efficiently. This procedure should not replace your manuals; you should use them together. These materials are intended for use by properly trained, professional mechanics, NOT "Do-it-yourselfers". You should not try to diagnose or repair steering problems unless you have been trained, and have the right equipment, tools and know-how to perform the work correctly and safely.

⚠ WARNING

All steering mechanisms are safety critical items. As such, it is imperative that the instructions in the vehicle manufacturer's or TRW's latest published service manual are followed to the letter. Failure to observe the proper procedures, cautions and warnings may result in loss of steering.

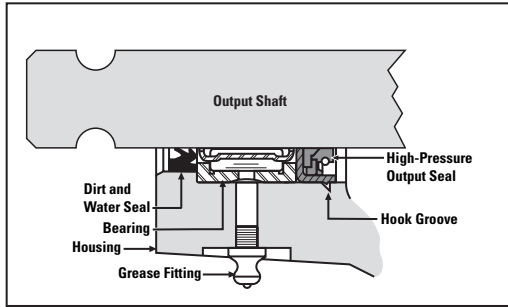
⚠ CAUTION

When installing seals, be sure to use the correct seal installation tool. Damage to the seal or improper installation will result if proper tool is not used during installation.

Service seal kits include service parts for more than one type of construction. Select the service kit parts required for the unit being serviced by comparing them with those being replaced.

Service seal kits include a grease pack and all item numbers shown on the exploded view in this service bulletin.

Section View of Output Shaft Seal Installation

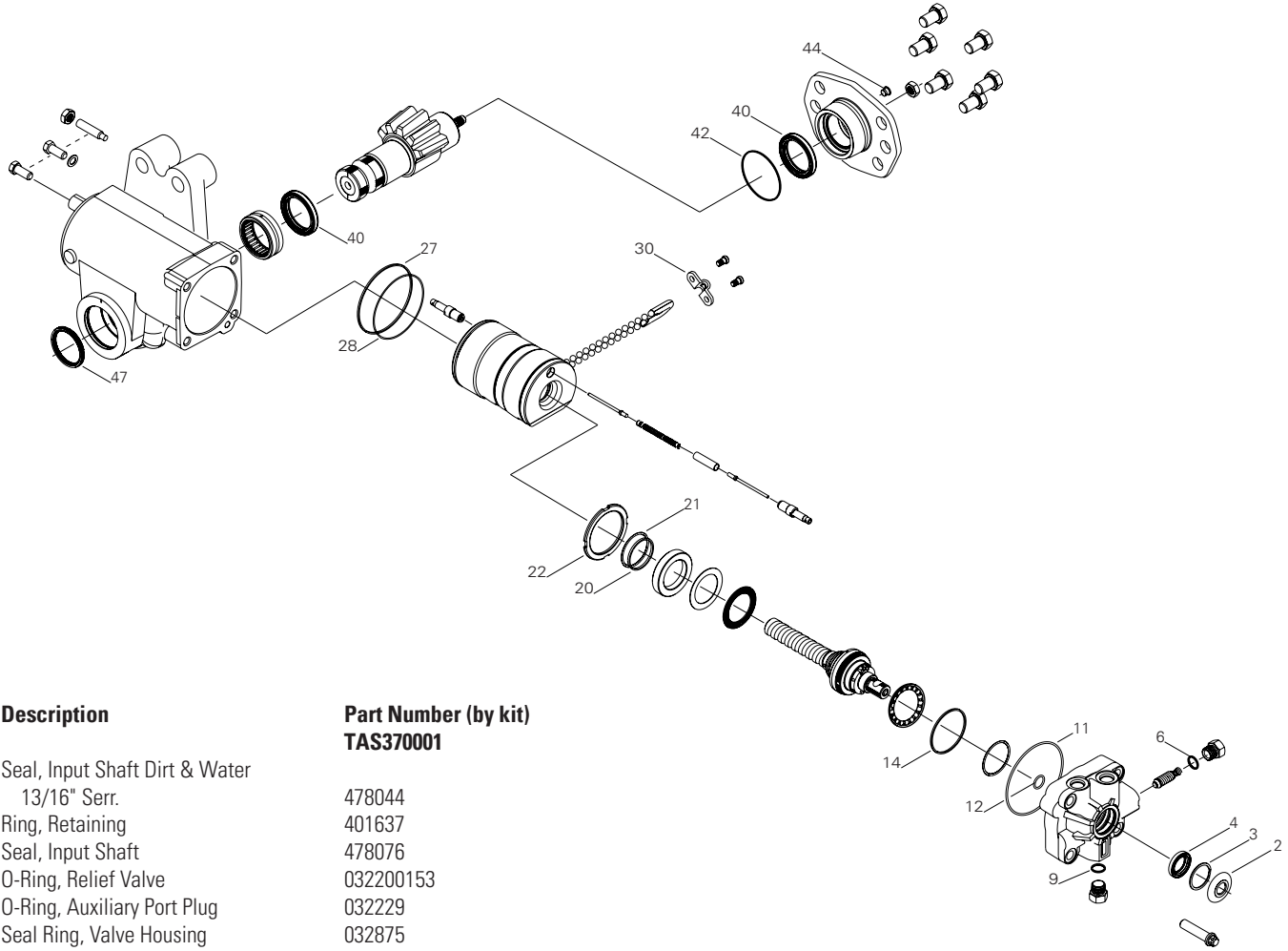


Step Bore w/ Hook Groove

This cross section of the output shaft seal area shows the design difference in the TAS37 steering gear assembly. The current production procedure is to machine a hook groove in the housing to keep the output shaft seal in place.

NOTE

Grease the trunnion bearing with a hand grease gun only. Automatic grease guns may blow out



Item	Description	Part Number (by kit) TAS370001
2	Seal, Input Shaft Dirt & Water 13/16" Serr.	478044
3	Ring, Retaining	401637
4	Seal, Input Shaft	478076
6	O-Ring, Relief Valve	032200153
9	O-Ring, Auxiliary Port Plug	032229
11	Seal Ring, Valve Housing	032875
12	Seal Ring, Valve Housing	032874
14	Seal Ring	029128
20	O-Ring	032200158
21	Seal Ring	029123
22	Locknut, Adjuster	027007
27	Teflon Seal Ring, Rack Piston	032864
28	O-ring (Back up), Rack Piston	032831
30	Strap, Ball Return Guide	400179
40	Seal, Output Shaft	478119
42	O-ring, Side Cover	032865
44	Vent Plug, Side Cover	036201
47	Seal, Trunnion Dirt & Water	478098

TRW Commercial Steering Systems

P.O. Box 60
Lafayette, IN 47902
Phone: 765.423.5377
Fax: 765.429.1868